

# ARTIK EVO

THE PROFESSIONAL SOLUTION FOR RESIDENTIAL POOLS

PRO LINE

YEARS OF WARRANTY | 5 | 2  
TANK EQUIPMENT



High quality filtration



- ➔ Optimised hydraulic system for **high quality filtration**
- ➔ Twist-lock cover, **rapid access (no tools required), not affected by scale or sand**
- ➔ Wide opening for **easy maintenance**
- ➔ 6-way valve included
- ➔ Variflo™ valve included
- ➔ Pro Line pressure gauge and air release
- ➔ **Optimal distribution of water** over the bed, thanks to the Dual-Side diffuser
- ➔ Quick-connect collector arms, **easy to replace**
- ➔ Internal monoblock element, **without slip fittings**
- ➔ Wide drain, no tools required for opening, **easy maintenance**
- ➔ **Usage: for residential pools up to 189 m<sup>3</sup>**



6-way Vari-Flo™ valve



Internal automatic air release



Quick-connect arm collectors



Glycerine-filled pressure gauge + release kit



Twist lock



Dual-side diffuser



Wide double draining, water/sand



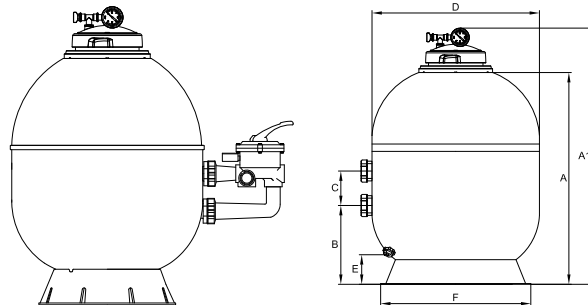
Wide double draining, water/sand

Code	Ref.	Connection	Filtration area (m <sup>2</sup> )	Flow rate (m <sup>3</sup> /h)			Sand (kg)	Vitrafil (kg)	Pools up to (m <sup>3</sup> )	Dimensions (mm)						Weight (kg)	Vol. (m <sup>3</sup> )	
				30	40	50				A	A1	B	C	D	E			F
022852148522	AK Evo 520	1,5"	0,21	6,3	8,4	10,5	100	80	63	715	875	305	125	520	140	458	17	0,242
022864148522	AK Evo 640	1,5"	0,32	9,6	12,8	16	165	135	96	800	960	315	125	640	125	458	23	0,366
022876248522	AK Evo 760	2"	0,45	13,5	18	22,5	305	245	135	840	1 000	365	140	760	100	605	34	0,608
022890248522	AK Evo 900	2"	0,63	18,9	25,2	31,5	425	340	189	840	1 000	365	140	900	150	605	45	0,902



Technical Specifications

Operating pressure	0.5 - 1.3 bar
Maximum pressure	2.5 bar
Max. water temp.	50 °C
Connection	1.5" (ø 520 mm - ø 640 mm ) 2" (ø 760 mm - ø 900 mm )
Tank / Arms / Unions / Cover	Polyester with F.G./PP/ABS/PC
Granulometry of filter material	0.4 - 0.8 mm



THE PERFECT PARTNERS: REMEMBER TO COMBINE THE **KLX** WITH THE **AK EVO** FILTER AND THE **KS EVO VS** VARIABLE SPEED PUMP



CRYSTAL-CLEAR WATER, SILENT OPERATION AND SAVINGS IN WATER, **ENERGY AND TIME**